

**LED Pixel Light BL-3535SMD-D50 series (6 or 7 or 8 or 9 or 10 pcs SMD)**



**Application Environment:**

Indoor  
Outdoor

**Description**

BL-3535SMD-D50 full color series are a full-color LED series string LED pixel light with ABS housing, which are designed for outdoor landscape lighting by Bright-Land. Each BL-3535SMD-D50 pixel is a separate lighting pixel, and each pixel can realize 256 grades gray scale changing. They can be used for indoor and outdoor applications, Customized pixel pitch, and easy installation.

**Features**

- 1) The newest generation technology:  
DMX512 parallel bus design;
- 2) Clip on-off style connection and anti-pull connection without connector design;
- 3) High thermal conductivity transformer and full-sealed filling waterproof method by German imported glue;
- 4) Outdoor lighting protection and electrostatic discharge (ESD) protection design;
- 5) Flexible design ensures 3 kinds of mounting way.

**Specifications**

**Basic Specifications**

Color Range	16777216 RGB or RGBW full color
Light Source	CREE 3535 RGB LED / CREE 3535 RGB +EPISTAR WHITE 5050 (or WHITE 3535)
Source Life	50,000 h
Material	Weather resistance, fire resistance ABS(black or white) / PC lens
Product Size	50*35*15mm

**Global Leading LED Lighting Fixture Enterprise**

**Environmental Specifications**

Working Temperature	-20°C to 50°C
Storage Temperature	-40°C to 70°C
Protection Rating	IP66

**Electrical Specifications**

Working Voltage	DC 12V/DC15V/DC24
Max Power	1.2W - 3W

**Optical Specifications**

Light Intensity	Mixed white: 15-25cd; (data refer to full color light source)
Beam Angle	120°

**Controller**

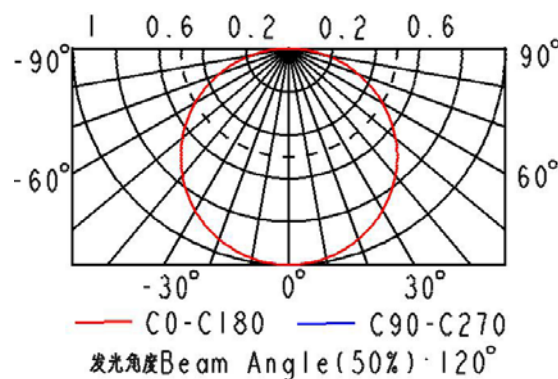
Host Controller	BL-5000 / BL-6000
Slave Controller	BL-2900

**Data Interface**

Signal Cable	BL dedicated outdoor cable
--------------	----------------------------

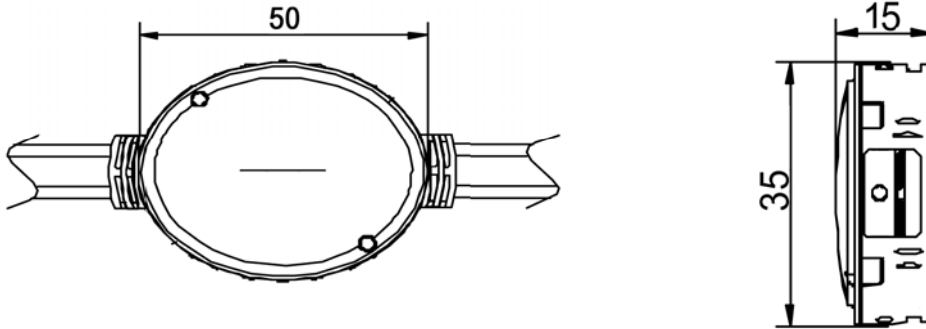
**Light Intensity Distribution**

Light Intensity Chart



## Physical Dimension

Unit: mm

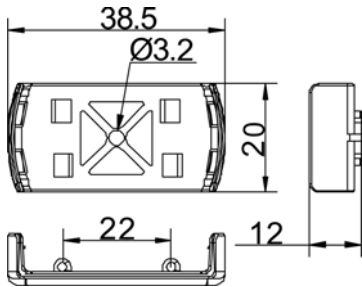


## Order Information

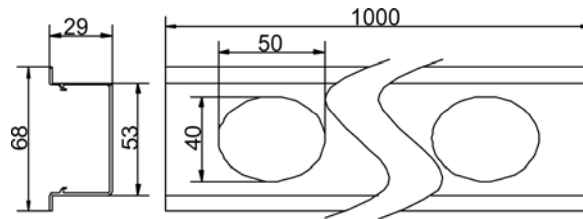
Item No.	Source	Color	Voltage	Power	Light Intensity
BL-3535RGB10-D50	10 pcs SMD 3535	RGB Full color	DC 24V	3W	25cd
BL-3535W10-D50	10 pcs SMD 3535	White (3000K/6000K)	DC 24V	3W	50cd/65cd
BL-3535RGB09-D50	9 pcs SMD 3535	RGB full color	DC 12V	2.7W	22.5cd
BL-3535RGB06W03-D50	6 pcs RGB SMD3535 +3pcs white SMD3535	RGBW	DC 12V	2.7W	33cd
BL-3535W09-D50	9 pcs SMD 3535	White (3000K/6000K)	DC 12V	2.7W	45cd/58.5cd
BL-3535RGB08-D50	8 pcs SMD3535	RGB Full color	DC 15V	2.4W	20cd
BL-3535W08-D50	8 pcs SMD3535	White (3000K/6000K)	DC 15V	2.4W	40cd/52cd
BL-3535RGB07-D50	7 pcs SMD 3535	RGB Full color	DC 24V	2.1W	17.5cd
BL-3535W07-D50	7 pcs SMD 3535	White (3000K/6000K)	DC 24V	2.1W	35cd/45.5cd
BL-3535RGB06-D50	6 pcs SMD 3535	RGB Full color	DC 24V	1.8W	15cd
BL-3535W06-D50	6 pcs SMD 3535	White (3000K/6000K)	DC 24V	1.8W	30cd/39cd

## Installation Method:

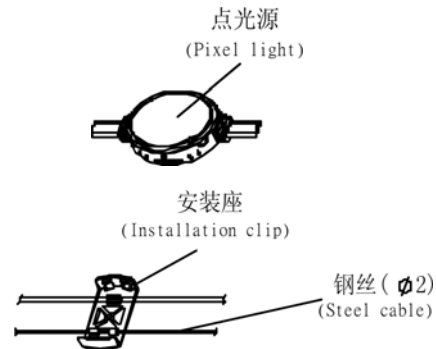
### 1. Mounting Clip



### 2. Aluminum Profile



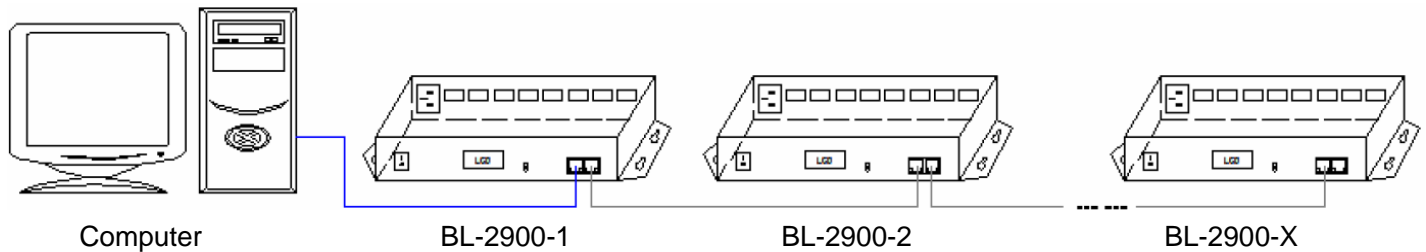
### 3. Stainless Steel Cable



## System connection diagram:

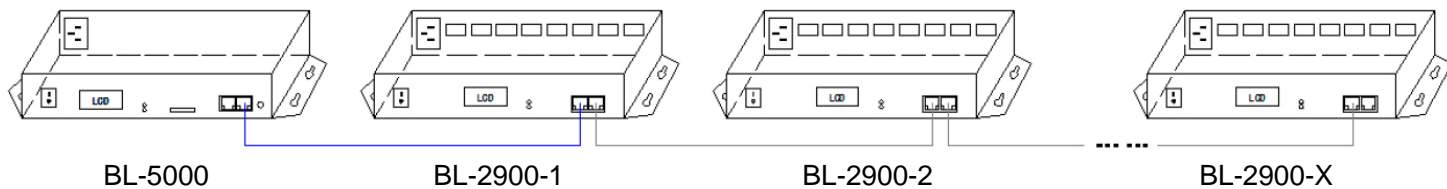
### 1.1 On-line mode

Connection with computer network port shown as below:



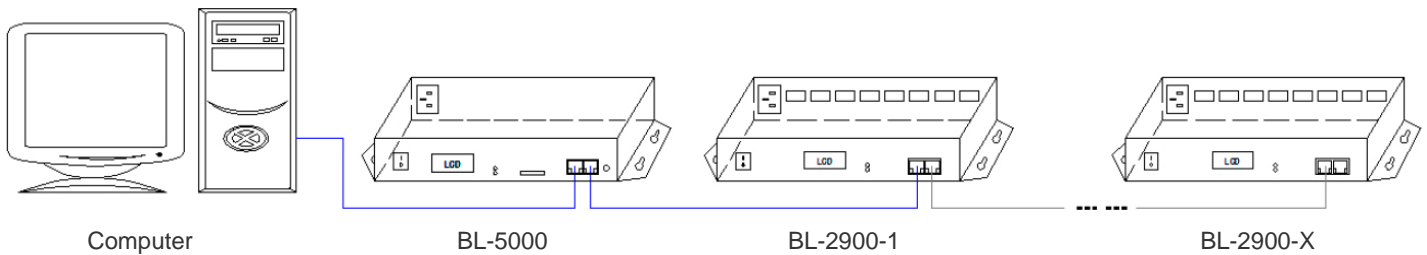
### 1.2 Off-line mode

Connection with off-line main controller shown as below:



**1.3. Synchronization & Non-synchronization integration mode (off-line main controller as backup use):**

Connection with computer, off-line main controller (On-line signal priority. Automatic switch off-line signal when no on-line signal) shown as below:



**Simple example application:**

