

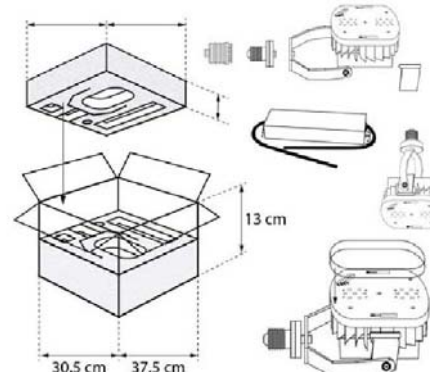


LED RETROFIT 35W / 45W

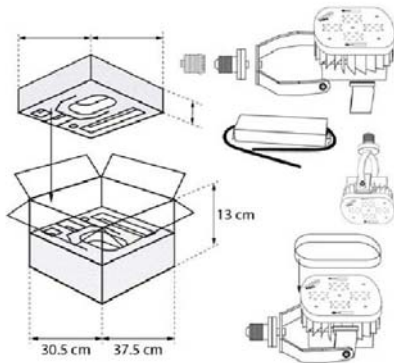


Input Voltage:	AC 90~240V
Input Power:	35W
Luminous Flux:	4 050LM
Led Source:	High Power CREE 3535 LEDs
Color Temp:	3000K / 4100K / 5000K / 6000K
Base:	E40, E27 optional
Beam Angle:	120°
IP Rating:	IP65
Fan Equipped:	Sunon Brand
Driver:	Mean Well driver
Certifications:	CE/ROHS approved
Fixture info:	120L x 123W x 65 H (mm)
Warranty:	70 000 hours life, 6 years warranty

Input Voltage:	AC 90~240V
Input Power:	45W
Luminous Flux:	5 200LM
Led Source:	High Power CREE 3535 LEDs
Color Temp:	3000K / 4100K / 5000K / 6000K
Base:	E40, E27 optional
Beam Angle:	120°
IP Rating:	IP65
Fan Equipped:	Sunon Brand
Driver:	Mean Well driver
Certifications:	CE/ROHS approved
Fixture info:	120L x 123W x 65 H (mm)
Warranty:	70 000 hours life, 6 years warranty

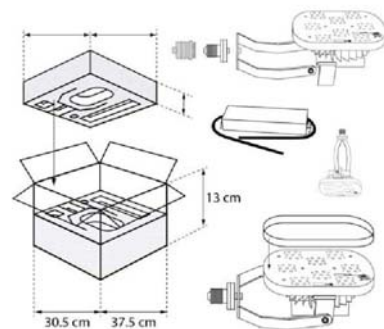


LED RETROFIT 60W / 75W



Input Voltage:	AC 90~240V
Input Power:	60W
Luminous Flux:	6 900LM
Led Source:	High Power CREE 3535 LEDs
Color Temp:	3000K / 4100K / 5000K / 6000K
Base:	E40, E27 optional
Bean Angle:	120°
IP Rating:	IP65
Fan Equipped:	Sunon Brand
Driver:	Mean Well driver
Certifications:	CE/ROHS approved
Fixture info:	120L x 122W x 67 H (mm)
Warranty:	70 000 hours life, 6 years warranty

Input Voltage:	AC 90~240V
Input Power:	75W
Luminous Flux:	8 650LM
Led Source:	High Power CREE 3535 LEDs
Color Temp:	3000K / 4100K / 5000K / 6000K
Base:	E40, E27 optional
Bean Angle:	120°
IP Rating:	IP65
Fan Equipped:	Sunon Brand
Driver:	Mean Well driver
Certifications:	CE/ROHS approved
Fixture info:	120L x 172W x 67 H (mm)
Warranty:	70 000 hours life, 6 years warranty



LED RETROFIT 105W / 120W / 150W

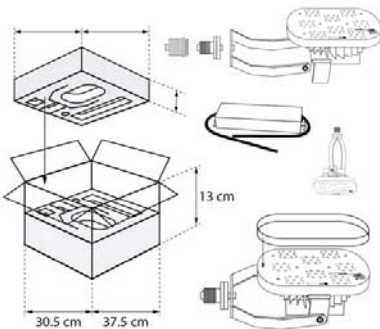


Input Voltage:	AC 90~240V
Input Power:	105W
Luminous Flux:	11 600LM
Led Source:	High Power CREE 3535 LEDs
Color Temp:	3000K / 4100K / 5000K / 6000K
Base:	E40, E27 optional
Beam Angle:	120°
IP Rating:	IP65
Fan Equipped:	Sunon Brand
Driver:	Mean Well driver
Certifications:	CE/ROHS approved
Fixture info:	120L x 172W x 67 H (mm)
Warranty:	70 000 hours life, 6 years warranty

Input Voltage:	AC 90~240V
Input Power:	120W
Luminous Flux:	13 250LM
Led Source:	High Power CREE 3535 LEDs
Color Temp:	3000K / 4100K / 5000K / 6000K
Base:	E40, E27 optional
Beam Angle:	120°
IP Rating:	IP65
Fan Equipped:	Sunon Brand
Driver:	Mean Well driver
Certifications:	CE/ROHS approved
Fixture info:	120L x 172W x 67 H (mm)
Warranty:	70 000 hours life, 6 years warranty



Input Voltage:	AC 90~240V
Input Power:	150W
Luminous Flux:	16 550LM
Led Source:	High Power CREE 3535 LEDs
Color Temp:	3000K / 4100K / 5000K / 6000K
Base:	E40, E27 optional
Beam Angle:	120°
IP Rating:	IP65
Fan Equipped:	Sunon Brand
Driver:	Mean Well driver
Certifications:	CE/ROHS approved
Fixture info:	264L x 121W x 38 H (mm)
Warranty:	70 000 hours life, 6 years warranty



LED RETROFIT 200W / 240W



Input Voltage:	AC 90~240V
Input Power:	200W
Luminous Flux:	23 000LM
Led Source:	High Power CREE 3535 LEDs
Color Temp:	3000K / 4100K / 5000K / 6000K
Base:	E40, E27 optional
Beam Angle:	120°
IP Rating:	IP65
Fan Equipped:	Sunon Brand
Driver:	Mean Well driver
Certifications:	CE/ROHS approved
Fixture info:	264L x 121W x 38H (mm)
Warranty:	70 000 hours life, 6 years warranty

Input Voltage:	AC 90~240V
Input Power:	240W
Luminous Flux:	26 550LM
Led Source:	High Power CREE 3535 LEDs
Color Temp:	3000K / 4100K / 5000K / 6000K
Base:	E40, E27 optional
Beam Angle:	120°
IP Rating:	IP65
Fan Equipped:	Sunon Brand
Driver:	Mean Well driver
Certifications:	CE/ROHS approved
Fixture info:	264L x 121W x 38H (mm)
Warranty:	70 000 hours life, 6 years warranty

